

Product Detail Specs

- Floor Grate • Customised Grate • DIY Grate
- Marine Grade 316 • Stainless Steel 304

   SEDEK WORLDWIDE

www.sedek.com.au

Contents

OUR STORY & MISSION

PRODUCTS

MATERIAL ANALYSIS REPORT

PRODUCT COMPARISON

WHY CHOOSE US?

CONTACT



Our Story

At SEDEK we are committed to providing solutions with regard to tiler, bathroom and plumbing fitting designs that would last for many years. Our journey started right from 2013. As an addition to our services, we are a one stop search for completing the process of house building items and we have staff prepared to hang in the balance to converse with you about your requirements.

Our Mission

When a client is excited with their new space, we're excited as well. Our industry driving sophisticated design enables renovators to make with certainty. SEDEK makes sure you find the perfect fitting in your building or renovation phase and complete the installation in the blink of an eye. We are very fast in response and would cause no delay in making sure all your designs and quality insert made from the best stainless steel material are brought to you. Our tiles can be put into at any place in home building as well as commercial buildings.

We are able to create our own design and stay ahead of our competitors by providing stylish and unique products. Our products are distributed to Australia, Singapore, Japan and Europe through a variety of channels such as architects, builders, developers, hotel projects and retail stores.

Products

FLOOR GRATE

All our floor grate drain are designed in such a way that they fit Effortlessly into the pattern of your building and house.

We have different designs and customizations, more importantly, that would suit you in every way. Whatever we do, we make sure we provide you with only the best quality. To make sure our promise on quality is delivered, we make all our fittings from stainless steel instead of the regular brass-made faucet designs.

SOME OF THE FLOOR GRATE TYPES THAT WE PROVIDE ARE

DIANA TILE INSERT 4mm thick

DIANA TILE INSERT 4mm thick MATTE BLACK

KANO TILE INSERT

KANO TILE INSERT MATTE BLACK

MILA LINEAR

MILA LINEAR MATTE BLACK

MICA TILE INSERT 600/800/900/1000/1100/1200

OLIVER LINEAR 600/800/900/1000/1100/1200

CUSTOMISED FLOOR GRATE DRAIN

WINSTON TILE INSERT

SEDEK LINEAR



*We offer only the best product fittings.
Ensuring high quality and great customer
service will be delivered at all cost.*



Material Analysis Report

Sedek proudly engages USL (Universal Scientific Laboratory) to test every batch of our products to the highest standards internationally.

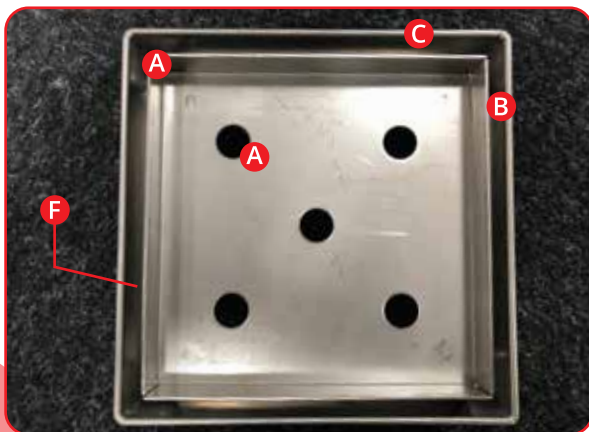
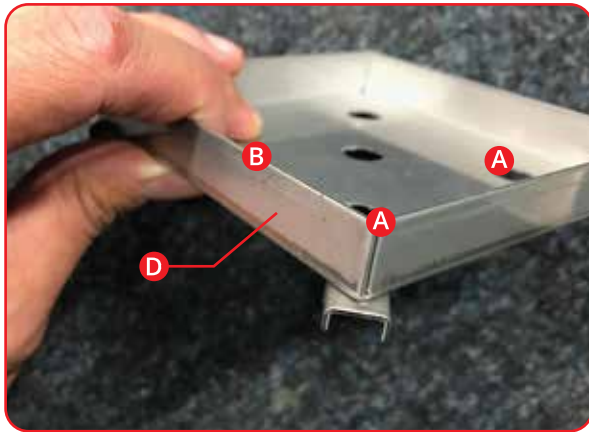
Transparency and traceability are growing areas of concern for consumers and regulatory authorities. Third-party certification programs such as USL are increasingly important as they provide a way for the industry to publicly demonstrate their products are the highest quality.

Product Comparison

Other brands

Company 1.

Below are product comparison of other average brand in the market.



Company 2.

Below are product comparison of other average brand in the market.

- A. Little gaps around four corners (No Welding)
- B. Material for holder is rubber, often fall off or stuck on the tray
- C. Difficult to replace the tile cover after cleaning
- D. Rough edges around drain waste
- E. Material for bottom part is plastic
- F. No mesh supply with the product

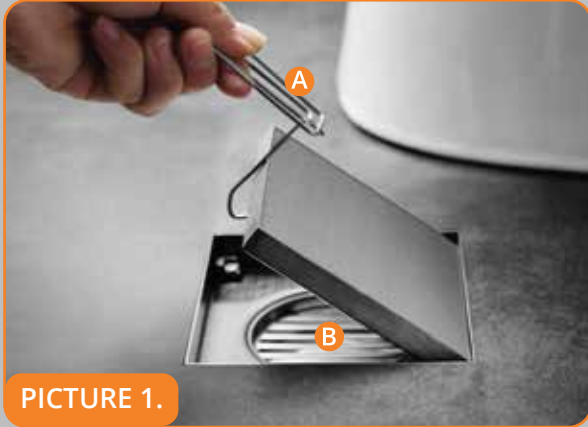


- A. Little gaps and small holes on four corners (No Welding)
- B. Rough edges
- C. Folding edges
- D. Original raw material finish, no protection coating applied
- E. Outlet material thickness is about 1.2mm
- F. No mesh supply with the product

Why Choose Us?

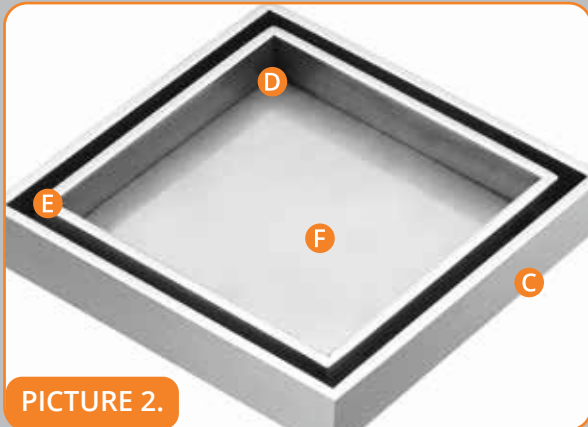
Makes You Unique

Sedek® Products are made with highest quality materials to ensure our customer's 100% satisfaction.



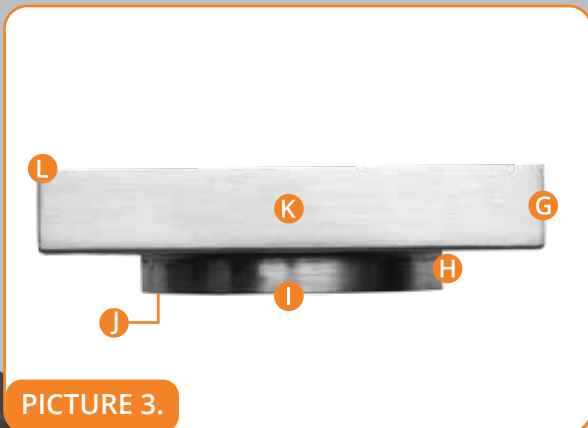
PICTURE 1.

- A Easy Lift Key included
- B Drain Stopper is made with stainless steel



PICTURE 2.

- C Marine grade
- D Anti-Wobble design
- E Polished smooth edges
- F Internal Depth: 12mm



PICTURE 3.

- G Lower depth only 20mm
- H 10mm shallow depth, easier for tiler to install
- I Outlet size available in 2 sizes: 90mm & 80+90mm
- J Outlet material thickness 3mm
- K 4 sides surface polished
- L Laser welding for 4 corners

DIANA[®] PREMIUM DESIGN

TILE INSERT SMART WASTE

Makes You Unique



PRODUCT CODE | Diana-110.316.80

PRODUCT DESCRIPTION

Sedek DIANA[®] made with marine grade stainless steel (316 grade). Designed to blend seamlessly with tiled floors provides a minimalist look. Tile cover is removable allowing for easy cleaning. The modern recessed center floor waste provides high quality styling to a contemporary bathroom.

PRODUCT FEATURE

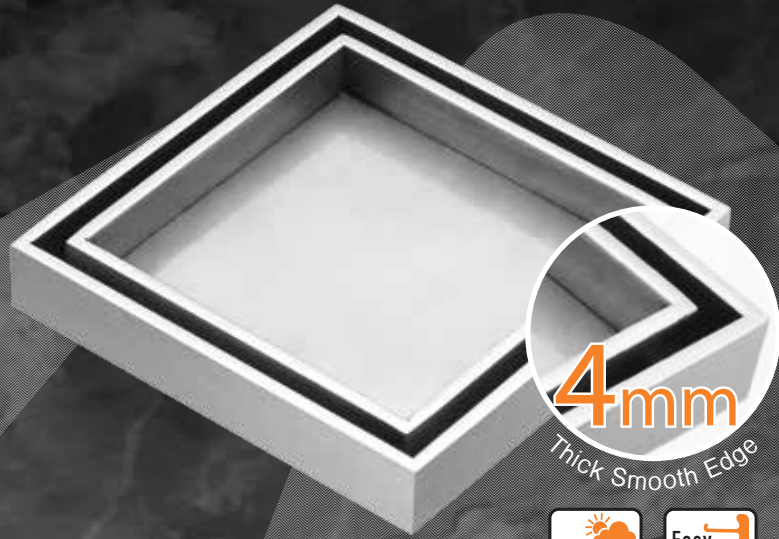
- 100% Marine grade stainless steel finish
- All weatherproof suitable for external use
- Included *Easy Lift Key* for easy cleaning
- Easy maintenance
- Precision laser welding
- 4mm thick hand polished smooth edge

STANDARD DIMENSIONS

L110mm x W110mm x D20mm (deep)

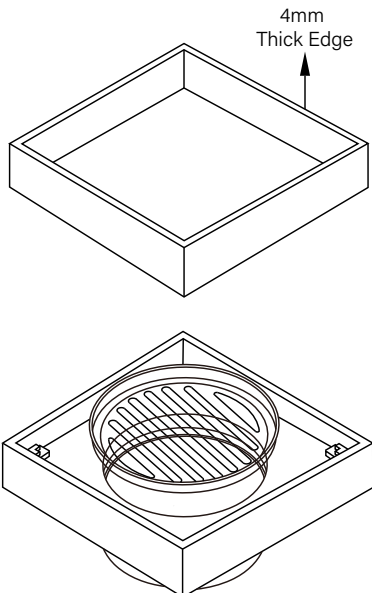
OUTLET

80mm

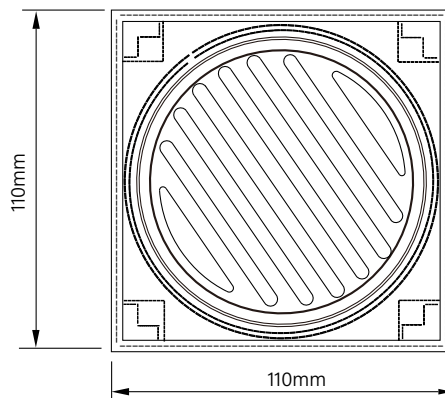


4mm
Thick Smooth Edge

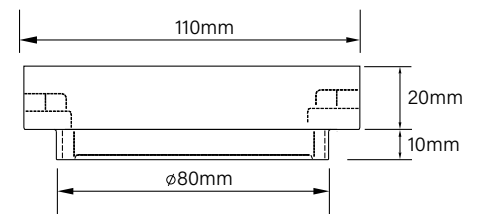
DIANA[®] PREMIUM DESIGN
TILE INSERT SMART WASTE



Top View



Side View



DIANA[®] PREMIUM DESIGN

TILE INSERT SMART WASTE

Makes You Unique



PRODUCT CODE | Diana-110.316.90

PRODUCT DESCRIPTION

Sedek DIANA[®] made with marine grade stainless steel (316 grade). Designed to blend seamlessly with tiled floors provides a minimalist look. Tile cover is removable allowing for easy cleaning. The modern recessed center floor waste provides high quality styling to a contemporary bathroom.

PRODUCT FEATURE

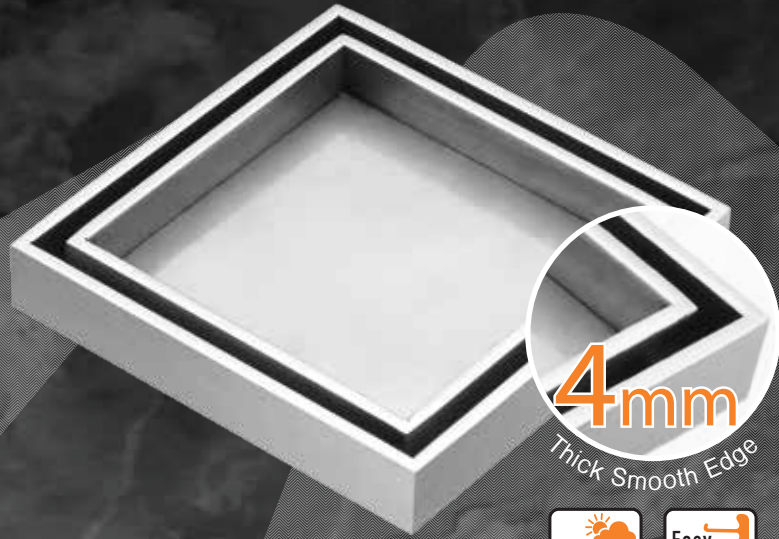
- 100% Marine grade stainless steel finish
- All weatherproof suitable for external use
- Included *Easy Lift Key* for easy cleaning
- Easy maintenance
- Precision laser welding
- 4mm thick hand polished smooth edge

STANDARD DIMENSIONS

L110mm x W110mm x D20mm (deep)

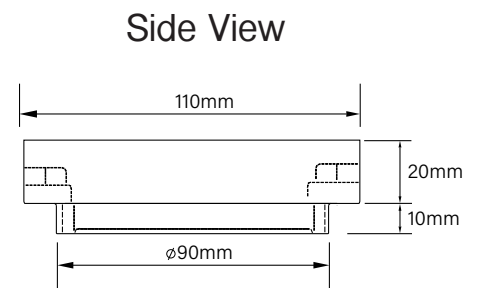
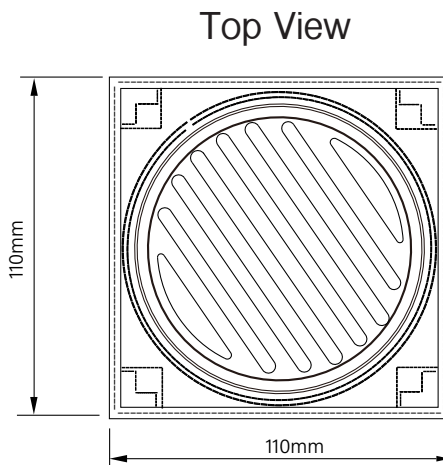
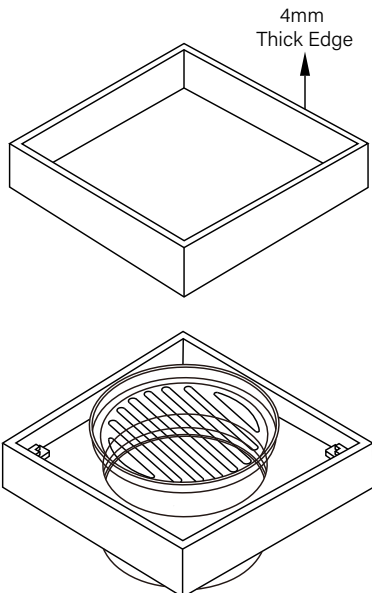
OUTLET

90mm



DIANA[®] PREMIUM DESIGN

TILE INSERT SMART WASTE



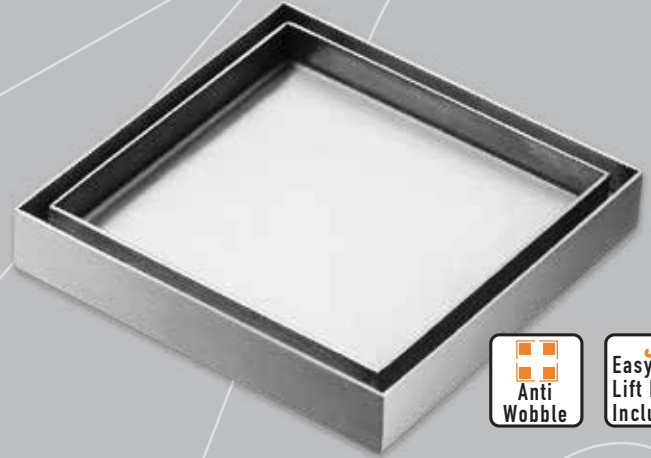
PRODUCT CODE | Kano-120.304.90

PRODUCT DESCRIPTION

Sedek KANO304[®] made with stainless steel (304 grade). Designed to blend seamlessly with tiled floors provides a minimalist look. Tile cover is removable allowing for easy cleaning. The modern recessed center floor waste provides high quality styling to a contemporary bathroom.

PRODUCT FEATURE

- 100% Stainless steel finish
- Anti-Wobble design
- Included *Easy Lift Key* for easy cleaning
- Easy maintenance
- Precision laser welding
- Polished smooth edge



KANO304[®]

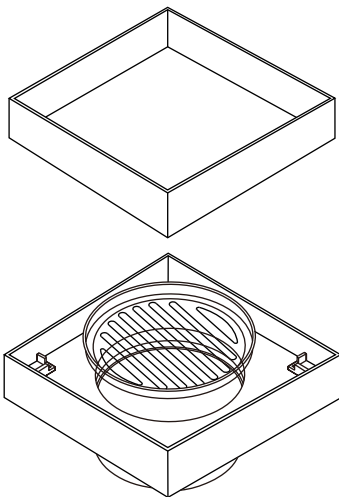
TILE INSERT SMART WASTE

STANDARD DIMENSIONS

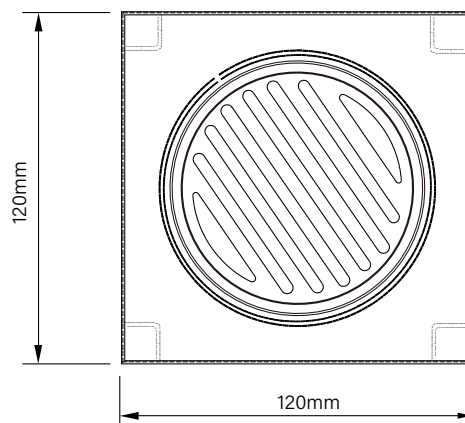
L120mm x W120mm x D20mm (deep)

OUTLET

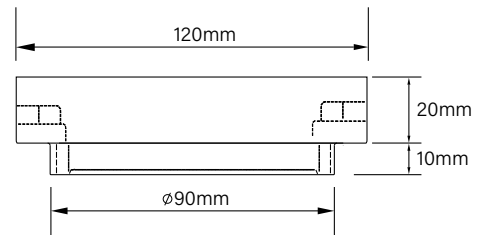
90mm



Top View



Side View



PRODUCT CODE | Kano-120.316.80+90

PRODUCT DESCRIPTION

Sedek KANO316® made with marine grade stainless steel (316 grade).

Designed to blend seamlessly with tiled floors provides a minimalist look. Tile cover is removable allowing for easy cleaning.

The modern recessed center floor waste provides high quality styling to a contemporary bathroom.

PRODUCT FEATURE

- 100% Marine grade stainless steel finish
- All weatherproof suitable for external use
- Anti-Wobble design
- Included *Easy Lift Key* for easy cleaning
- Easy maintenance
- Precision laser welding
- Polished smooth edge
- Optional 90mm outlet adaptor

STANDARD DIMENSIONS

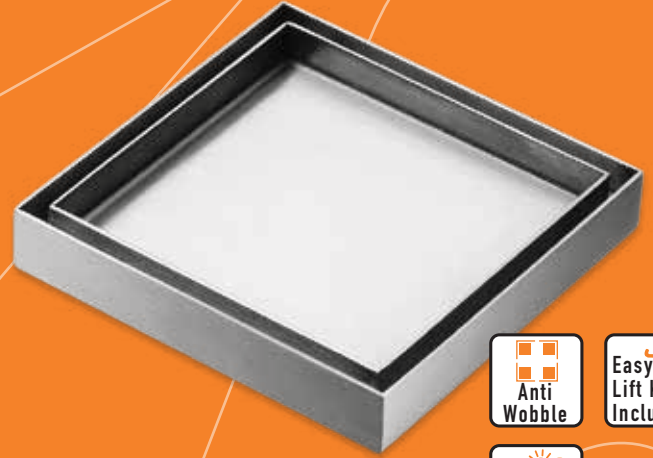
L120mm x W120mm x D20mm (deep)

OUTLET

80mm

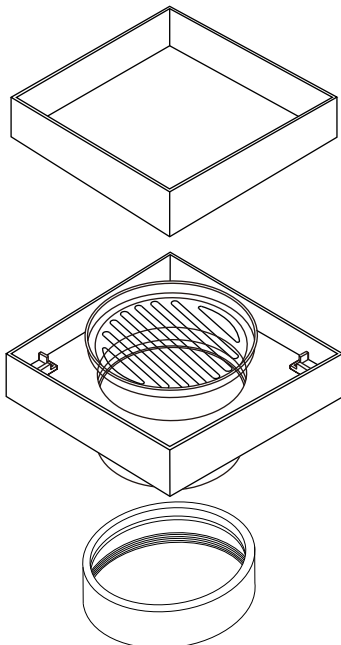
OPTIONS

Provide optional 90mm outlet adaptor

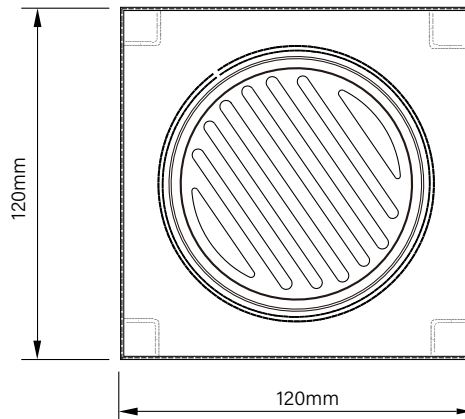


KANO316®

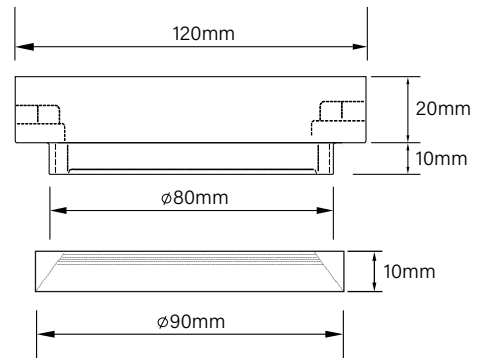
TILE INSERT SMART WASTE



Top View



Side View



Adaptor
(Optional with Kano-120.316.80+90)

PRODUCT CODE | Kano-120.316.90

PRODUCT DESCRIPTION

Sedek KANO316® made with marine grade stainless steel (316 grade).

Designed to blend seamlessly with tiled floors provides a minimalist look. Tile cover is removable allowing for easy cleaning.

The modern recessed center floor waste provides high quality styling to a contemporary bathroom.

PRODUCT FEATURE

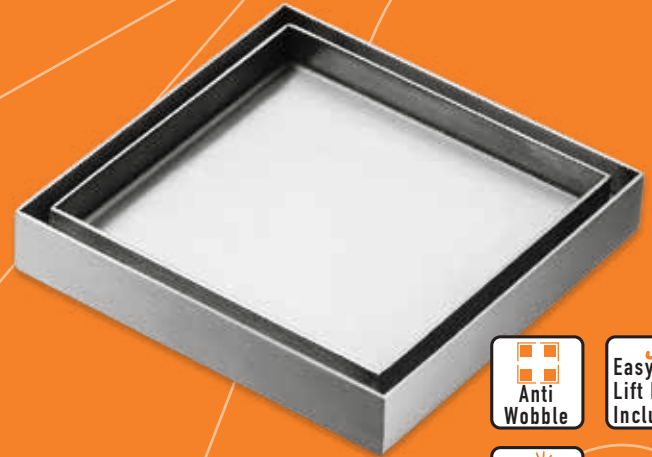
- 100% Marine grade stainless steel finish
- All weatherproof suitable for external use
- Anti-Wobble design
- Included *Easy Lift Key* for easy cleaning
- Easy maintenance
- Precision laser welding
- Polished smooth edge

STANDARD DIMENSIONS

L120mm x W120mm x D20mm (deep)

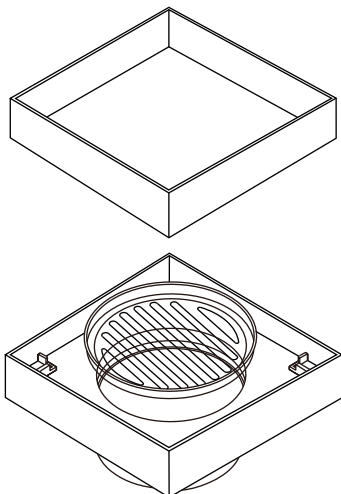
OUTLET

90mm

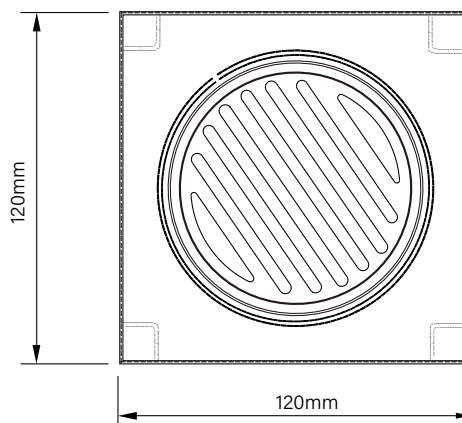


KANO316®

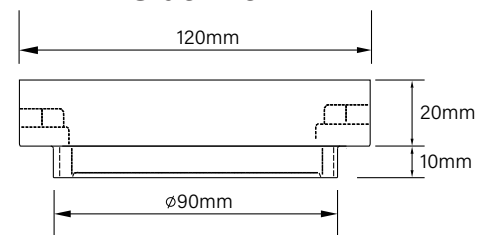
TILE INSERT SMART WASTE



Top View



Side View



PRODUCT CODE | Kano-120.316.80MB

PRODUCT DESCRIPTION

Sedek KANO316® made with stainless steel (316 grade). Designed to blend seamlessly with tiled floors provides a minimalist look. Tile cover is removable allowing for easy cleaning.

The modern recessed center floor waste provides high quality styling to a contemporary bathroom.

PRODUCT FEATURE

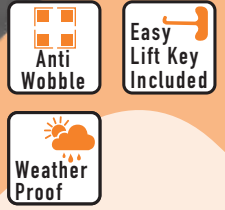
- 100% Marine grade stainless steel finish
- Matte black electroplating finish
- All weatherproof suitable for external use
- Anti-Wobble design
- Included *Easy Lift Key* for easy cleaning
- Easy maintenance
- Precision laser welding
- Polished smooth edge

STANDARD DIMENSIONS

L120mm x W120mm x D20mm (deep)

OUTLET

80mm

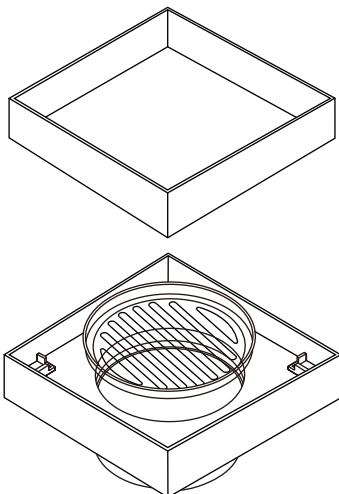


KANO316®

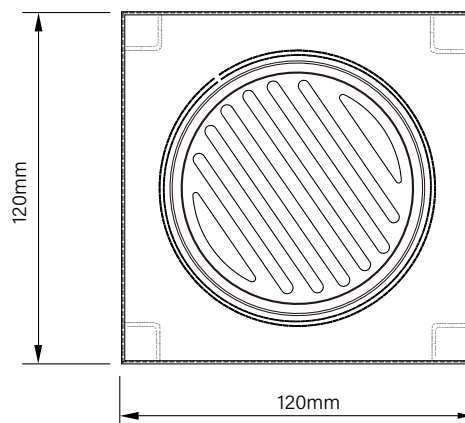
TILE INSERT SMART WASTE

CARE & MAINTENANCE

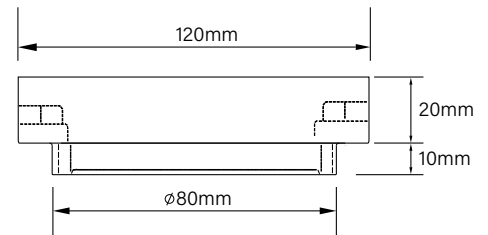
- Regularly clean the surface and avoid using bleach, cream cleaner, citrus base cleaner or other harsh chemicals and abrasive scrubbers.
- Soapy water is the recommended method of cleaning.
- Only using a non-abrasive metal cleaner and soft cloth.
- Do not left unclean surface for an extended period of time, in highly polluted or coastal locations we recommend cleaning 2-3 times per week.



Top View



Side View



PRODUCT CODE | Kano-120.316.90MB

PRODUCT DESCRIPTION

Sedek KANO316® made with stainless steel (316 grade). Designed to blend seamlessly with tiled floors provides a minimalist look. Tile cover is removable allowing for easy cleaning.

The modern recessed center floor waste provides high quality styling to a contemporary bathroom.

PRODUCT FEATURE

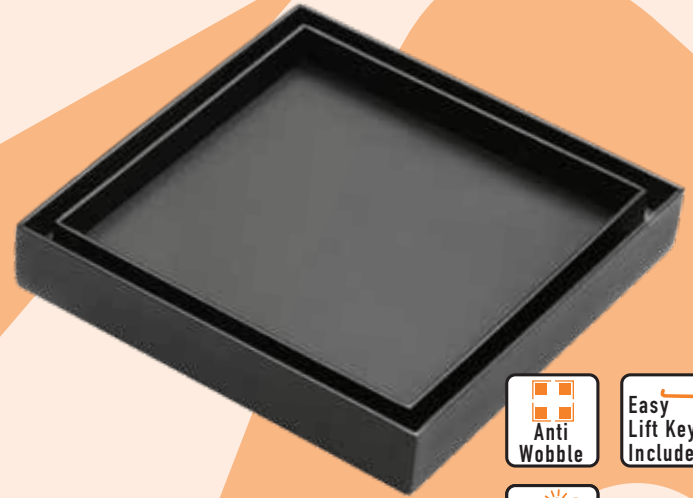
- 100% Marine grade stainless steel finish
- Matte black electroplating finish
- All weatherproof suitable for external use
- Anti-Wobble design
- Included *Easy Lift Key* for easy cleaning
- Easy maintenance
- Precision laser welding
- Polished smooth edge

STANDARD DIMENSIONS

L120mm x W120mm x D20mm (deep)

OUTLET

90mm

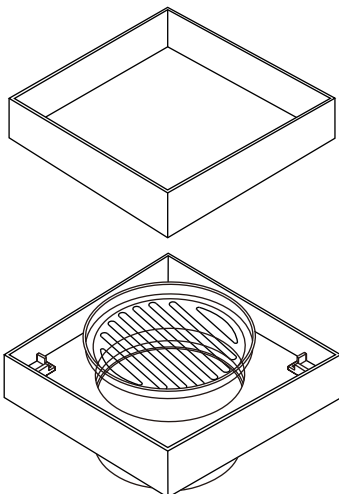


KANO316®

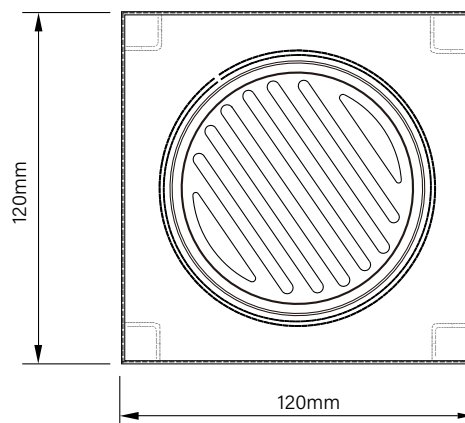
TILE INSERT SMART WASTE

CARE & MAINTENANCE

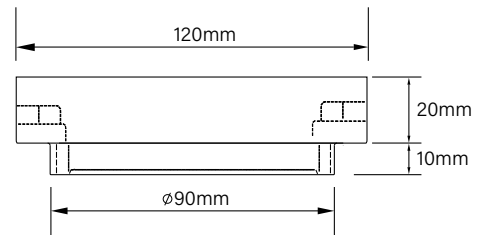
- Regularly clean the surface and avoid using bleach, cream cleaner, citrus base cleaner or other harsh chemicals and abrasive scrubbers.
- Soapy water is the recommended method of cleaning.
- Only using a non-abrasive metal cleaner and soft cloth.
- Do not left unclean surface for an extended period of time, in highly polluted or coastal locations we recommend cleaning 2-3 times per week.



Top View



Side View



PRODUCT CODE | Kano-120.316.90BG

PRODUCT DESCRIPTION

Sedek KANO316® made with stainless steel (316 grade). Designed to blend seamlessly with tiled floors provides a minimalist look. Tile cover is removable allowing for easy cleaning.

The modern recessed center floor waste provides high quality styling to a contemporary bathroom.

PRODUCT FEATURE

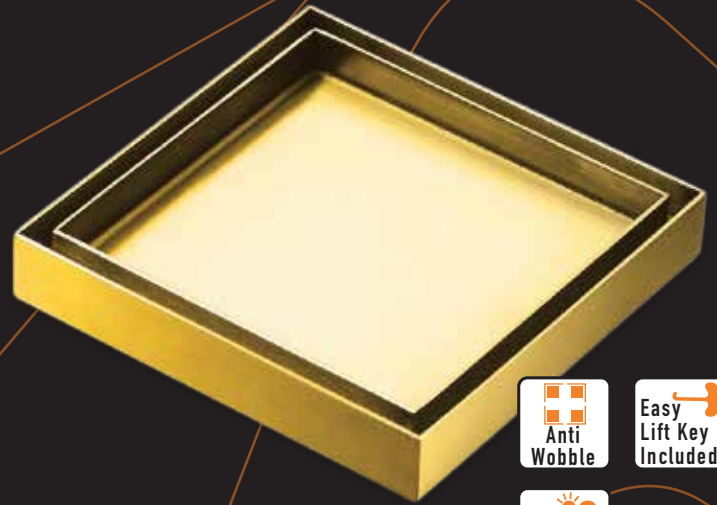
- 100% Marine grade stainless steel finish
- Brush gold electroplating finish
- All weatherproof suitable for external use
- Anti-Wobble design
- Included *Easy Lift Key* for easy cleaning
- Easy maintenance
- Precision laser welding
- Polished smooth edge

STANDARD DIMENSIONS

L120mm x W120mm x D20mm (deep)

OUTLET

90mm

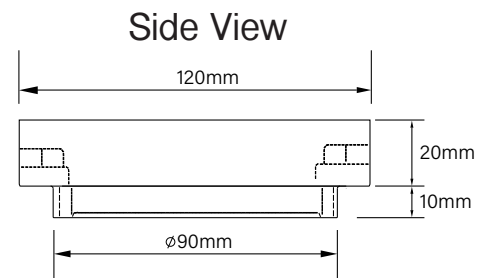
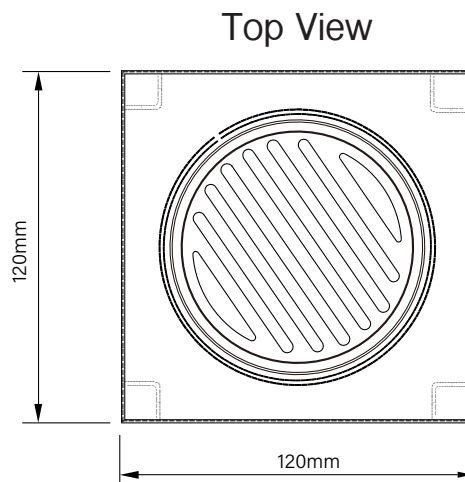
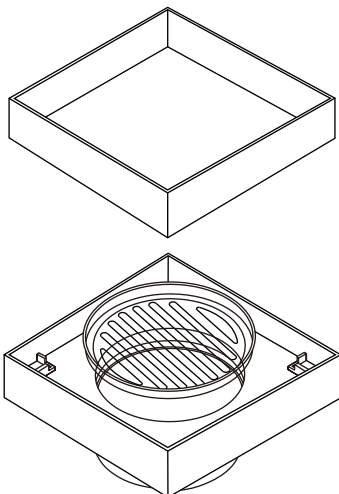


KANO316®

TILE INSERT SMART WASTE

CARE & MAINTENANCE

- Regularly clean the surface and avoid using bleach, cream cleaner, citrus base cleaner or other harsh chemicals and abrasive scrubbers.
- Soapy water is the recommended method of cleaning.
- Only using a non-abrasive metal cleaner and soft cloth.
- Do not left unclean surface for an extended period of time, in highly polluted or coastal locations we recommend cleaning 2-3 times per week.



PRODUCT CODE | Mila-110.316 Linear

PRODUCT DESCRIPTION

Sedek MILA316[®] made with marine grade stainless steel (316 grade). Designed to blend seamlessly with tiled floors provides a minimalist look. The line cover is removable allowing for easy cleaning. The modern recessed center floor waste provides high quality styling to a contemporary bathroom.

PRODUCT FEATURE

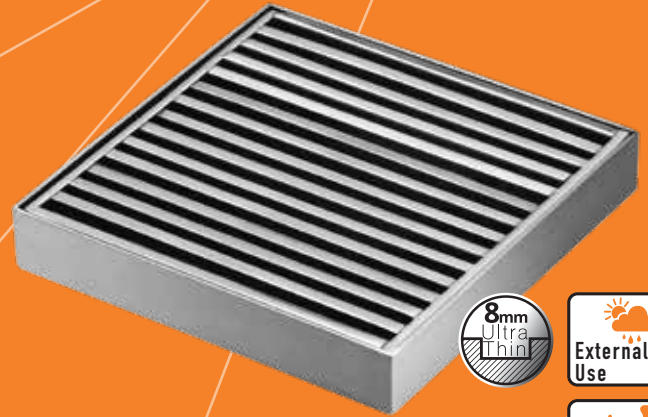
- 100% Marine grade stainless steel finish
- All weatherproof suitable for external use
- Included *Easy Lift Key* for easy cleaning
- Easy maintenance
- Polished smooth edge

STANDARD DIMENSIONS

L110mm x W110mm x D8mm (deep)

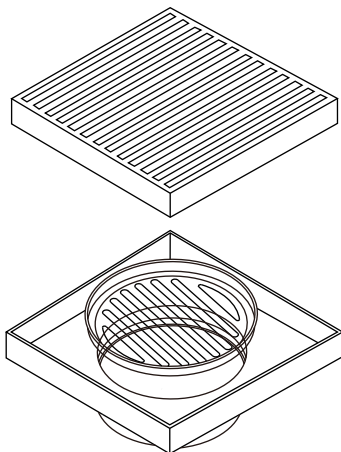
OUTLET

90mm

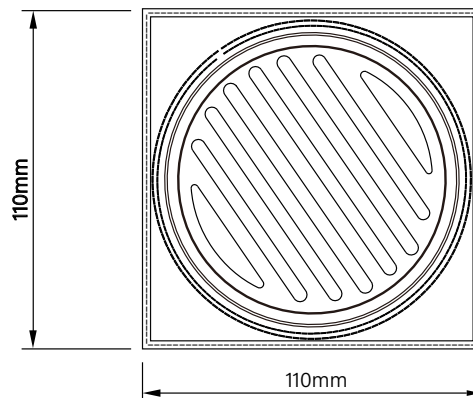


MILA 316[®]

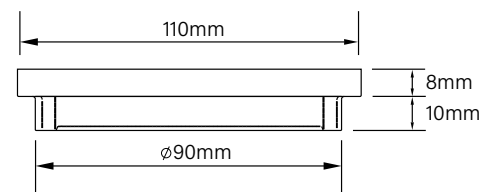
LINEAR WASTE



Top View



Side View



PRODUCT CODE | Mila-110.316 Linear MB

PRODUCT DESCRIPTION

Sedek MILA316[®] made with marine grade stainless steel (316 grade). Designed to blend seamlessly with tiled floors provides a minimalist look. The line cover is removable allowing for easy cleaning. The modern recessed center floor waste provides high quality styling to a contemporary bathroom.

PRODUCT FEATURE

- 100% Marine grade stainless steel finish
- Matte black electroplating finish
- All weatherproof suitable for external use
- Included *Easy Lift Key* for easy cleaning
- Easy maintenance
- Polished smooth edge

STANDARD DIMENSIONS

L110mm x W110mm x D8mm (deep)

OUTLET

90mm

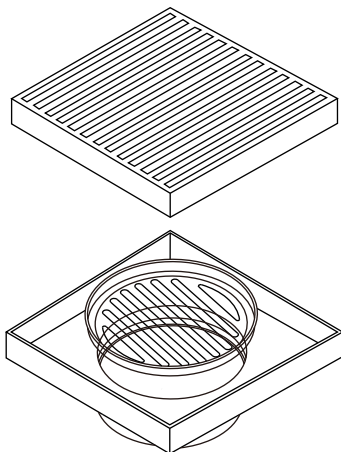


MILA 316[®]

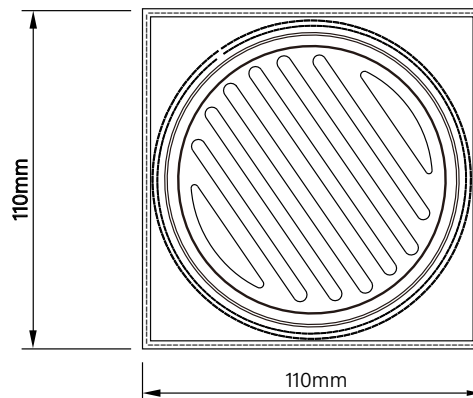
LINEAR WASTE

CARE & MAINTENANCE

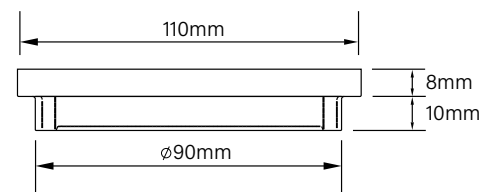
- Regularly clean the surface and avoid using bleach, cream cleaner, citrus base cleaner or other harsh chemicals and abrasive scrubbers.
- Soapy water is the recommended method of cleaning.
- Only using a non-abrasive metal cleaner and soft cloth.
- Do not left unclean surface for an extended period of time, in highly polluted or coastal locations we recommend cleaning 2-3 times per week.



Top View



Side View



PRODUCT CODE | Mila-110.316 Linear BG

PRODUCT DESCRIPTION

Sedek MILA316® made with marine grade stainless steel (316 grade). Designed to blend seamlessly with tiled floors provides a minimalist look. The line cover is removable allowing for easy cleaning. The modern recessed center floor waste provides high quality styling to a contemporary bathroom.

PRODUCT FEATURE

- 100% Marine grade stainless steel finish
- All weatherproof suitable for external use
- Included *Easy Lift Key* for easy cleaning
- Easy maintenance
- Polished smooth edge

STANDARD DIMENSIONS

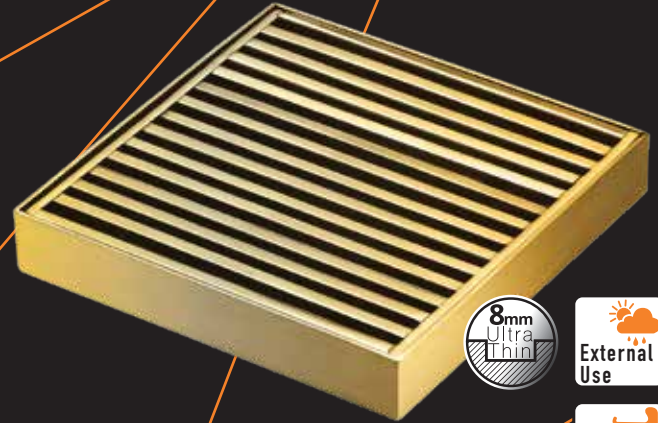
L110mm x W110mm x D8mm (deep)

OUTLET

90mm

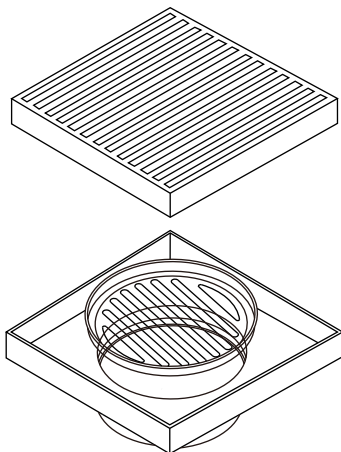
CARE & MAINTENANCE

- Regularly clean the surface and avoid using bleach, cream cleaner, citrus base cleaner or other harsh chemicals and abrasive scrubbers.
- Soapy water is the recommended method of cleaning.
- Only using a non-abrasive metal cleaner and soft cloth.
- Do not left unclean surface for an extended period of time, in highly polluted or coastal locations we recommend cleaning 2-3 times per week.

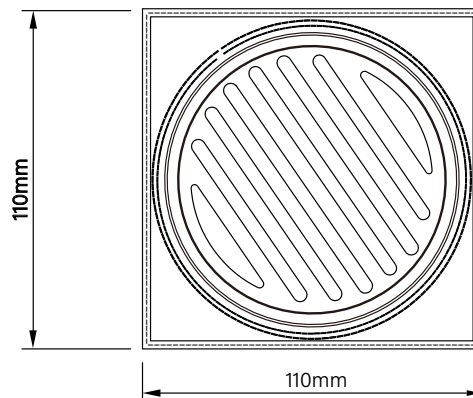


MILA316

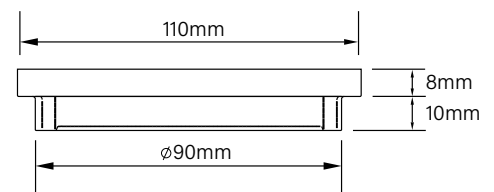
LINEAR WASTE



Top View



Side View



MICA.316

TILE INSERT SMART WASTE PRODUCT RANGE

Makes You Unique



PRODUCT CODE | Mica-800.316-BG / Mica-900.316-BG / Mica-1000.316-BG

PRODUCT DESCRIPTION

Sedek MICA316® made with marine grade stainless steel (316 grade). Designed to blend seamlessly with tiled floors provides a minimalist look. The tile insert cover is removable allowing for easy cleaning. The modern recessed center floor waste provides high quality styling to a contemporary bathroom.



PRODUCT FEATURE

- 100% Marine grade stainless steel finish
- Brush gold electroplating finish
- All weatherproof suitable for external use
- Included *Easy Lift Key* for easy cleaning
- Easy maintenance
- Polished smooth edge

STANDARD DIMENSIONS

- L800mm x W100mm x D22mm (deep)
- L900mm x W100mm x D22mm (deep)
- L1000mm x W100mm x D22mm (deep)

OUTLET

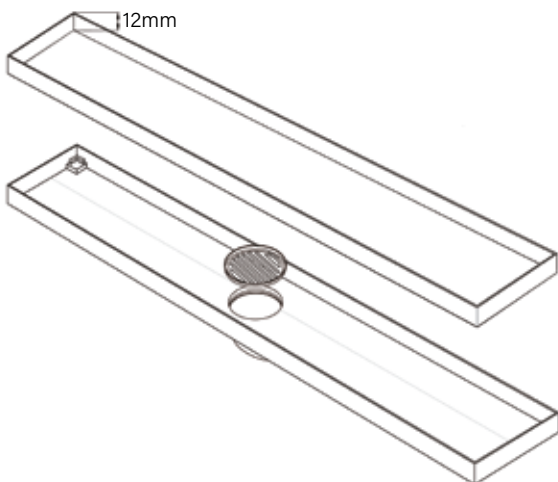
80mm

MICA.316

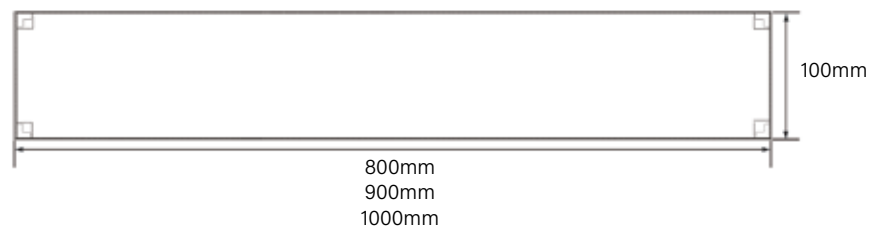
TILE INSERT SMART WASTE PRODUCT RANGE

CARE & MAINTENANCE

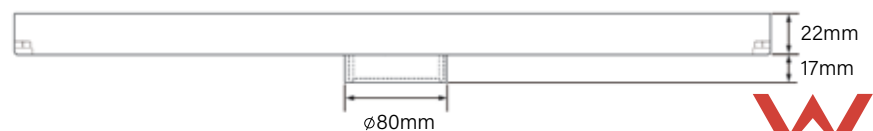
- Regularly clean the surface and avoid using bleach, cream cleaner, citrus base cleaner or other harsh chemicals and abrasive scrubbers.
- Soapy water is the recommended method of cleaning.
- Only using a non-abrasive metal cleaner and soft cloth.
- Do not left unclean surface for an extended period of time, in highly polluted or coastal locations we recommend cleaning 2-3 times per week.



Top View



Side View



MICA.316

TILE INSERT SMART WASTE PRODUCT RANGE

Makes You Unique



PRODUCT CODE | Mica-800.316-MB / Mica-900.316-MB / Mica-1000.316-MB

PRODUCT DESCRIPTION

Sedek MICA316® made with marine grade stainless steel (316 grade).
Designed to blend seamlessly with tiled floors provides a minimalist look. The tile insert cover is removable allowing for easy cleaning.
The modern recessed center floor waste provides high quality styling to a contemporary bathroom.



PRODUCT FEATURE

- 100% Marine grade stainless steel finish
- Matte black electroplating finish
- All weatherproof suitable for external use
- Included *Easy Lift Key* for easy cleaning
- Easy maintenance
- Polished smooth edge

MICA.316

TILE INSERT SMART WASTE PRODUCT RANGE

STANDARD DIMENSIONS

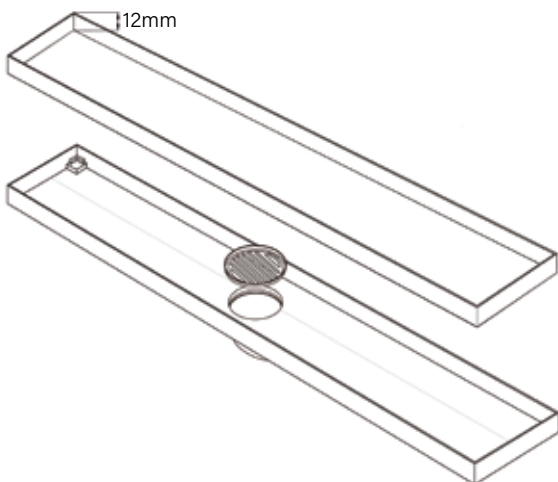
- L800mm x W100mm x D22mm (deep)
- L900mm x W100mm x D22mm (deep)
- L1000mm x W100mm x D22mm (deep)

OUTLET

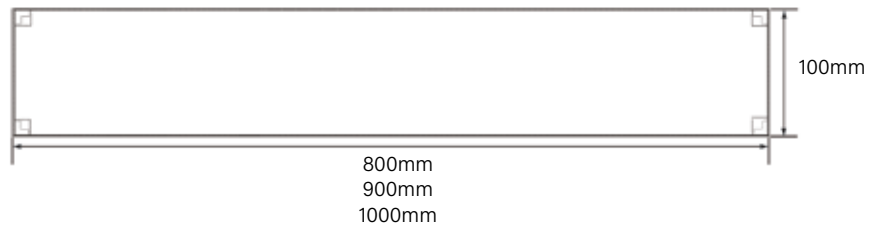
80mm

CARE & MAINTENANCE

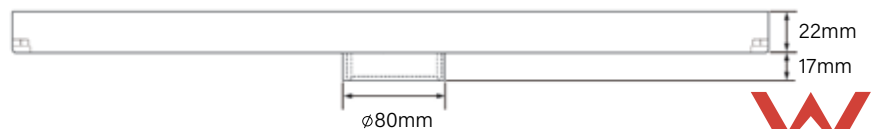
- Regularly clean the surface and avoid using bleach, cream cleaner, citrus base cleaner or other harsh chemicals and abrasive scrubbers.
- Soapy water is the recommended method of cleaning.
- Only using a non-abrasive metal cleaner and soft cloth.
- Do not left unclean surface for an extended period of time, in highly polluted or coastal locations we recommend cleaning 2-3 times per week.



Top View



Side View



WMK26470
WMTS-040

MICA.316

TILE INSERT SMART WASTE PRODUCT RANGE

Makes You Unique



PRODUCT CODE | Mica-600.316 / Mica-800.316 / Mica-900.316
Mica-1000.316 / Mica-1100.316 / Mica-1200.316

PRODUCT DESCRIPTION

Sedek MICA316® made with marine grade stainless steel (316 grade).
Designed to blend seamlessly with tiled floors provides a minimalist look. The tile insert cover is removable allowing for easy cleaning.
The modern recessed center floor waste provides high quality styling to a contemporary bathroom.

PRODUCT FEATURE

- 100% Marine grade stainless steel finish
- All weatherproof suitable for external use
- Included *Easy Lift Key* for easy cleaning
- Easy maintenance
- Polished smooth edge

STANDARD DIMENSIONS

- L600mm x W100mm x D22mm (deep)
- L800mm x W100mm x D22mm (deep)
- L900mm x W100mm x D22mm (deep)
- L1000mm x W100mm x D22mm (deep)
- L1100mm x W100mm x D22mm (deep)
- L1200mm x W100mm x D22mm (deep)

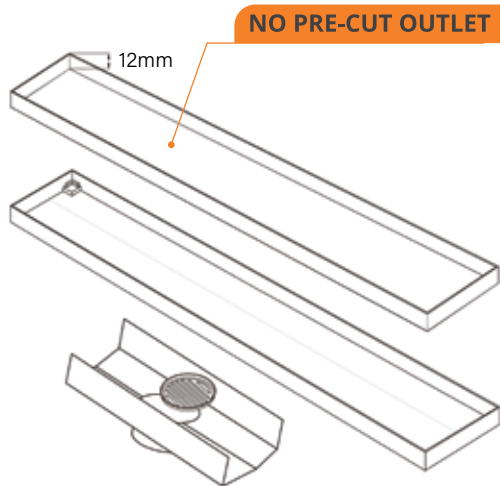
OUTLET

80mm

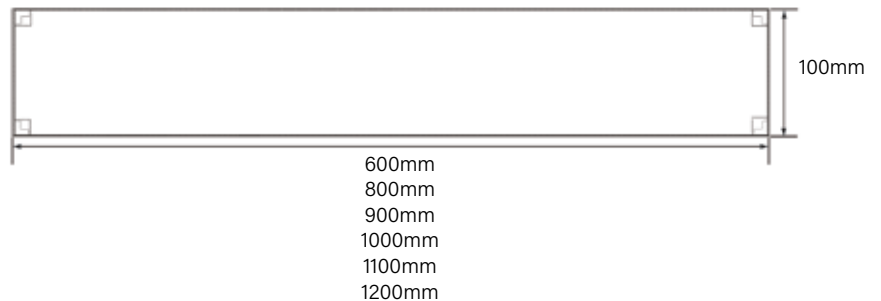


MICA.316

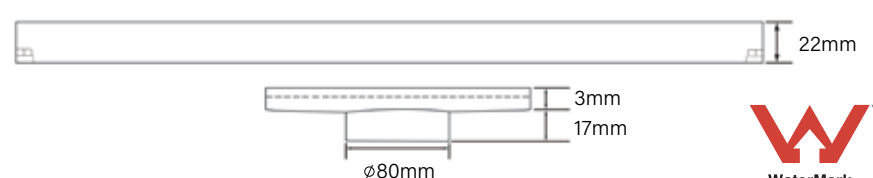
TILE INSERT SMART WASTE PRODUCT RANGE



Top View



Side View



MICA.316

TILE INSERT SMART WASTE PRODUCT RANGE

Makes You Unique



PRODUCT CODE | Mica-600.316 / Mica-800.316 / Mica-900.316
Mica-1000.316 / Mica-1100.316 / Mica-1200.316

PRODUCT DESCRIPTION

Sedek MICA316® made with marine grade stainless steel (316 grade).
Designed to blend seamlessly with tiled floors provides a minimalist look. The tile insert cover is removable allowing for easy cleaning.
The modern recessed center floor waste provides high quality styling to a contemporary bathroom.

PRODUCT FEATURE

- 100% Marine grade stainless steel finish
- All weatherproof suitable for external use
- Included *Easy Lift Key* for easy cleaning
- Easy maintenance
- Polished smooth edge

STANDARD DIMENSIONS

- L600mm x W100mm x D22mm (deep)
- L800mm x W100mm x D22mm (deep)
- L900mm x W100mm x D22mm (deep)
- L1000mm x W100mm x D22mm (deep)
- L1100mm x W100mm x D22mm (deep)
- L1200mm x W100mm x D22mm (deep)

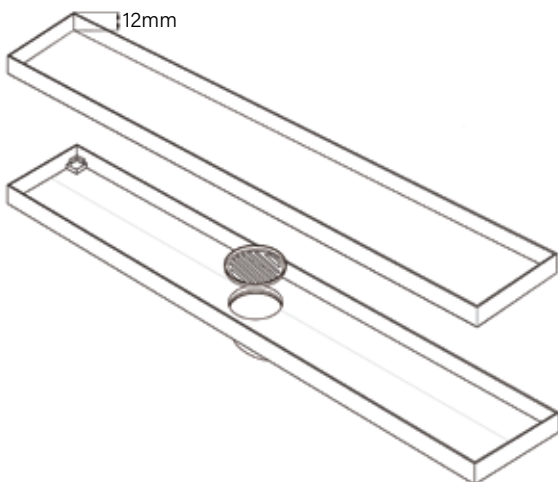
OUTLET

80mm

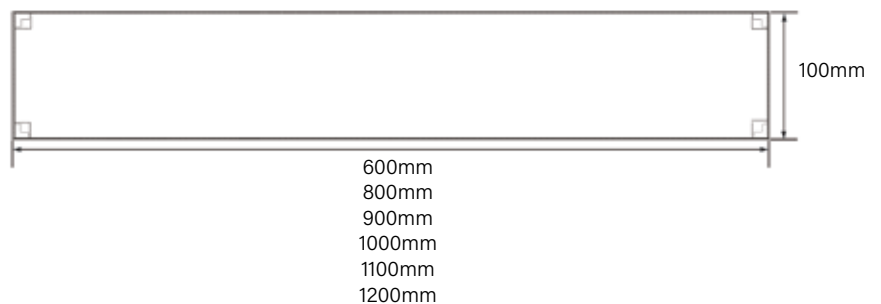


MICA.316

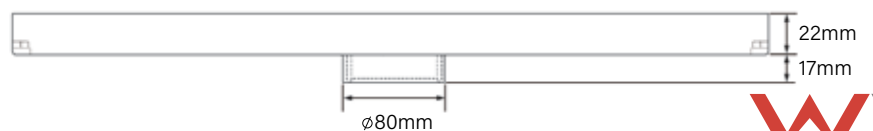
TILE INSERT SMART WASTE PRODUCT RANGE



Top View



Side View



MICA.316

TILE INSERT SMART WASTE PRODUCT RANGE

Makes You Unique



PRODUCT CODE | Mica-3000-316-QC

OUTLET
INCLUDED



STANDARD DIMENSIONS

- L3000mm x W100mm x D22mm (deep)
- *Manufacture made length, can be cut to any size require.

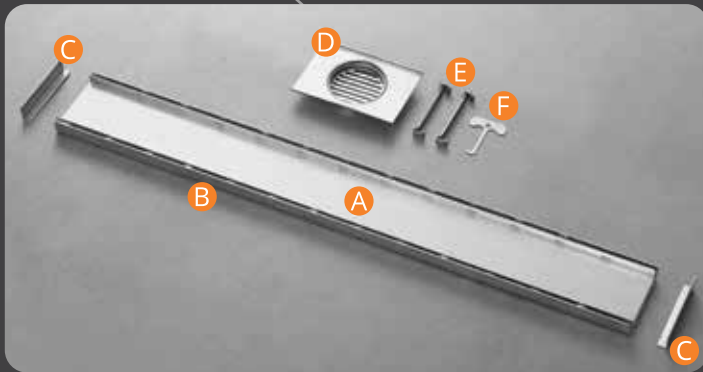
MICA.316

TILE INSERT SMART WASTE PRODUCT RANGE

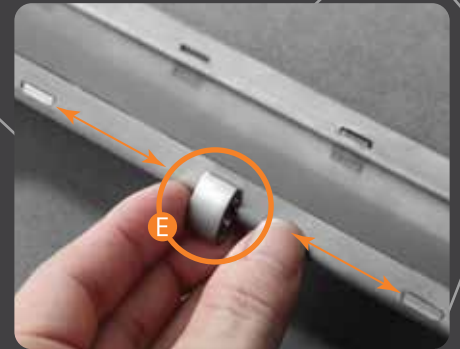
OUTLET

80mm

PACKAGE INCLUDES



- A Tile Cover (Top Tray)
- B Bottom Tray
- C End Caps
- D 80mm Outlet
- E Spare Removable Clips
- F Easy Lift Key



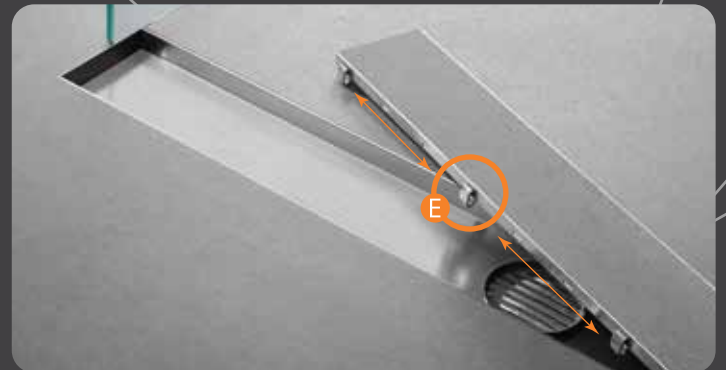
E Removable clips, can be adjust along the tray.

CUTTING INSTRUCTIONS

- Bandsaw (Strongly recommend, no spark or burn marks, only little fine burr remains.)
- Abrasive metal cutter
- Hacksaw

Tips & Reminder:

- *Always remember to spray cutting oil while drill and cutting stainless steel. Water will also help if there is no cutting oil available.
- *Apply cutting oil will reduce the heat and smoother while cutting or drilling. This will improve the lifespan of the blades and hole saw.
- (1) Spray a bit cutting oil on the stainless steel and blades or Hole saw before start the job. (2) Use slow speed to cut or drill the product, Do not use excessive force on it, just let it do the job.
- *Do not use wood or aluminium cutting machine which are not suitable to cut 316 stainless steel.



Makes You Unique



Making custom work quick & easy

MICA.316

TILE INSERT SMART WASTE PRODUCT RANGE

PRODUCT CODE | Mica-3000-316-QC



PRODUCT DESCRIPTION

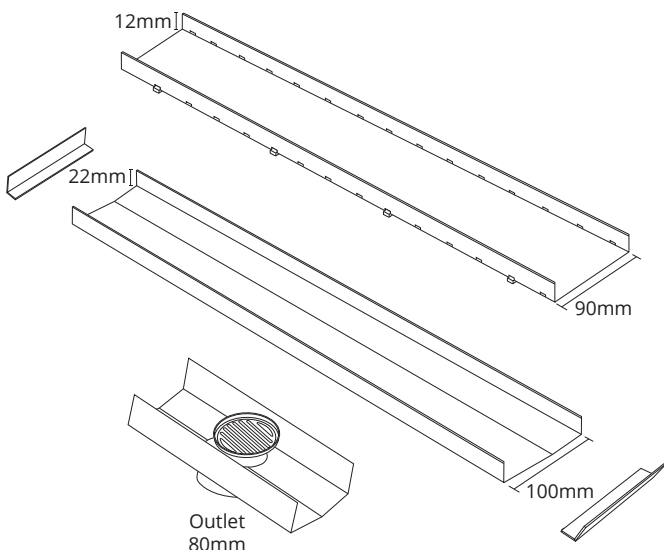
Sedek MICA316® made with marine grade stainless steel (316 grade).

Designed to blend seamlessly with tiled floors provides a minimalist look. The tile insert cover is removable allowing for easy cleaning.

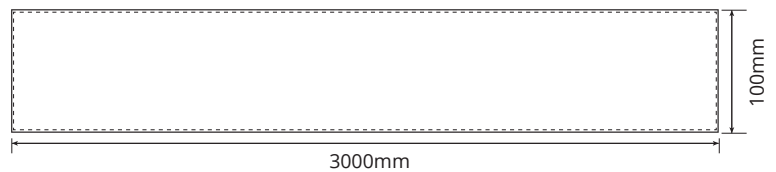
The modern recessed center floor waste provides high quality styling to a contemporary bathroom.

PRODUCT FEATURE

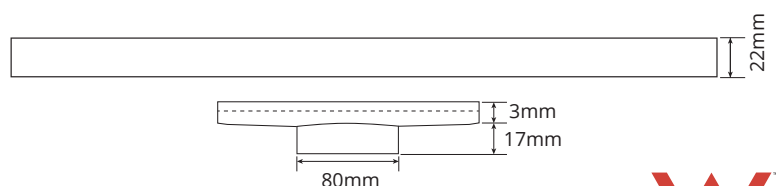
- 100% Marine grade stainless steel finish
- All weatherproof suitable for external use
- Included *Easy Lift Key* for easy cleaning
- Easy maintenance
- Polished smooth edge
- Easily customisable cut to any length you require
- Outlet can be positioned anywhere along the bottom tray
- No need to welding



Top View



Side View



OLIVER .316

LINEAR WASTE PRODUCT RANGE

Makes You Unique



PRODUCT CODE | Oliver-600.316 / Oliver-800.316 / Oliver-900.316
Oliver-1000.316 / Oliver-1100.316 / Oliver-1200.316

PRODUCT DESCRIPTION

Sedek OLIVER316® made with marine grade stainless steel (316 grade).

Designed to blend seamlessly with tiled floors provides a minimalist look. The line cover is removable allowing for easy cleaning.

The modern recessed center floor waste provides high quality styling to a contemporary bathroom.

PRODUCT FEATURE

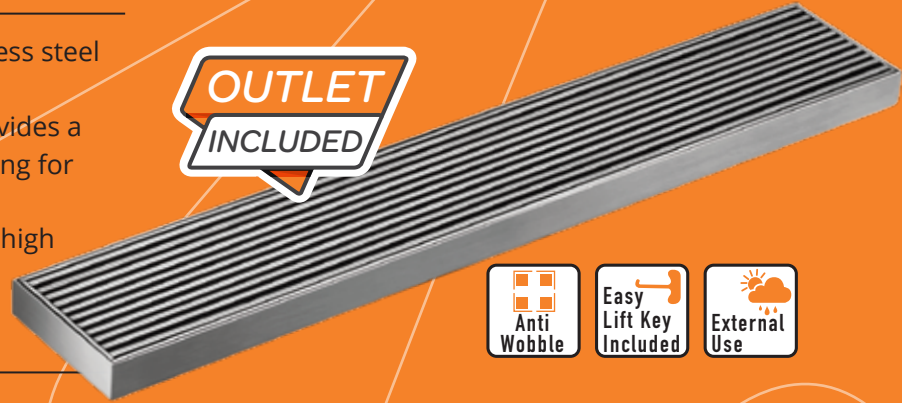
- 100% Marine grade stainless steel finish
- All weatherproof suitable for external use
- Included *Easy Lift Key* for easy cleaning
- Easy maintenance
- Polished smooth edge

STANDARD DIMENSIONS

- L600mm x W100mm x D22mm (deep)
- L800mm x W100mm x D22mm (deep)
- L900mm x W100mm x D22mm (deep)
- L1000mm x W100mm x D22mm (deep)
- L1100mm x W100mm x D22mm (deep)
- L1200mm x W100mm x D22mm (deep)

OUTLET

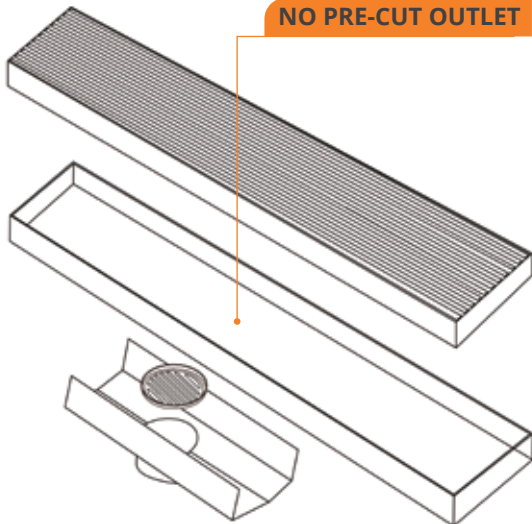
80mm



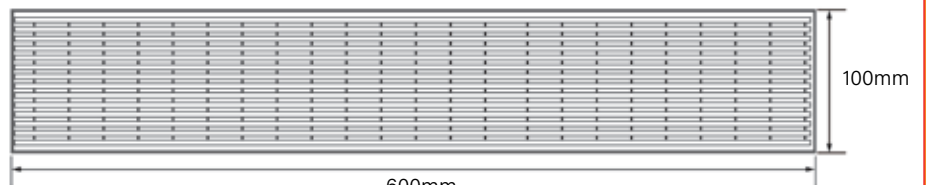
OLIVER .316

LINEAR WASTE PRODUCT RANGE

NO PRE-CUT OUTLET

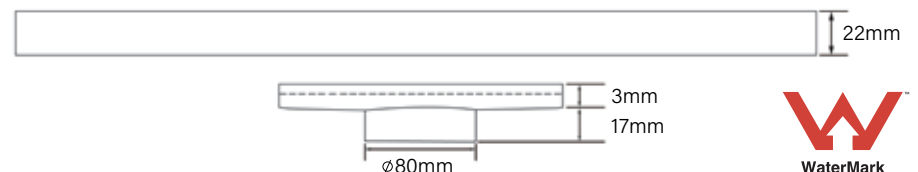


Top View



600mm
800mm
900mm
1000mm
1100mm
1200mm

Side View



OLIVER.316

LINEAR WASTE PRODUCT RANGE

Makes You Unique



PRODUCT CODE | Oliver-600.316 / Oliver-800.316 / Oliver-900.316
Oliver-1000.316 / Oliver-1100.316 / Oliver-1200.316

PRODUCT DESCRIPTION

Sedek OLIVER316® made with marine grade stainless steel (316 grade).

Designed to blend seamlessly with tiled floors provides a minimalist look. The line cover is removable allowing for easy cleaning.

The modern recessed center floor waste provides high quality styling to a contemporary bathroom.

PRODUCT FEATURE

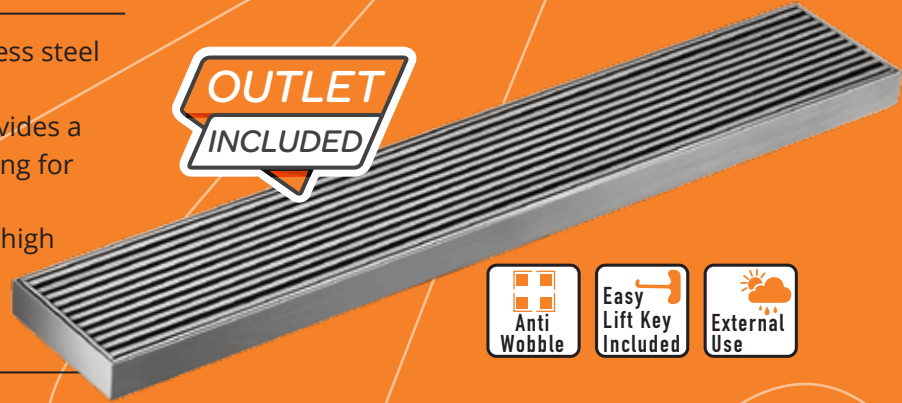
- 100% Marine grade stainless steel finish
- All weatherproof suitable for external use
- Included *Easy Lift Key* for easy cleaning
- Easy maintenance
- Polished smooth edge

STANDARD DIMENSIONS

- L600mm x W100mm x D22mm (deep)
- L800mm x W100mm x D22mm (deep)
- L900mm x W100mm x D22mm (deep)
- L1000mm x W100mm x D22mm (deep)
- L1100mm x W100mm x D22mm (deep)
- L1200mm x W100mm x D22mm (deep)

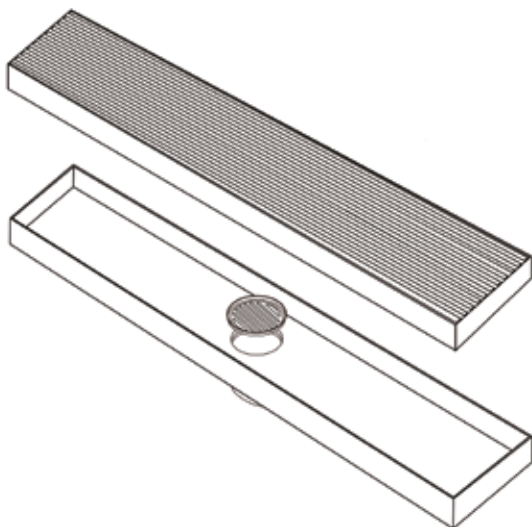
OUTLET

80mm

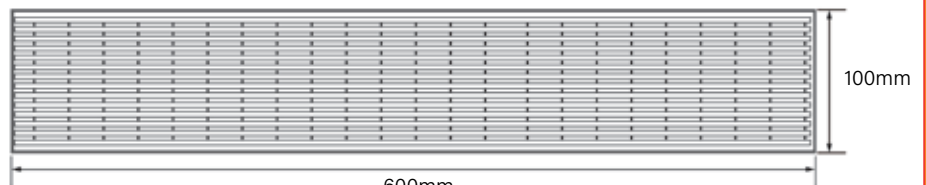


OLIVER.316

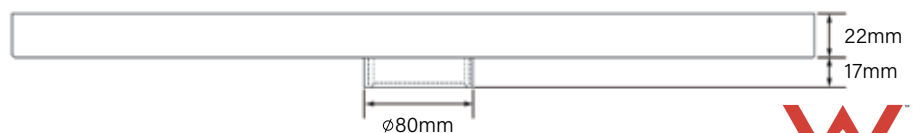
LINEAR WASTE PRODUCT RANGE



Top View



Side View





Contact

Find out how to get in touch with us, whether you're a future or current customer, contact SEDEK in the way that suits you and we'll take care of the rest.

We welcome your feedback, questions, comments and complaints.

✉ P.O. Box 595, Epping
NSW 1710 Australia

🌐 www.sedek.com.au

   SEDEK WORLDWIDE